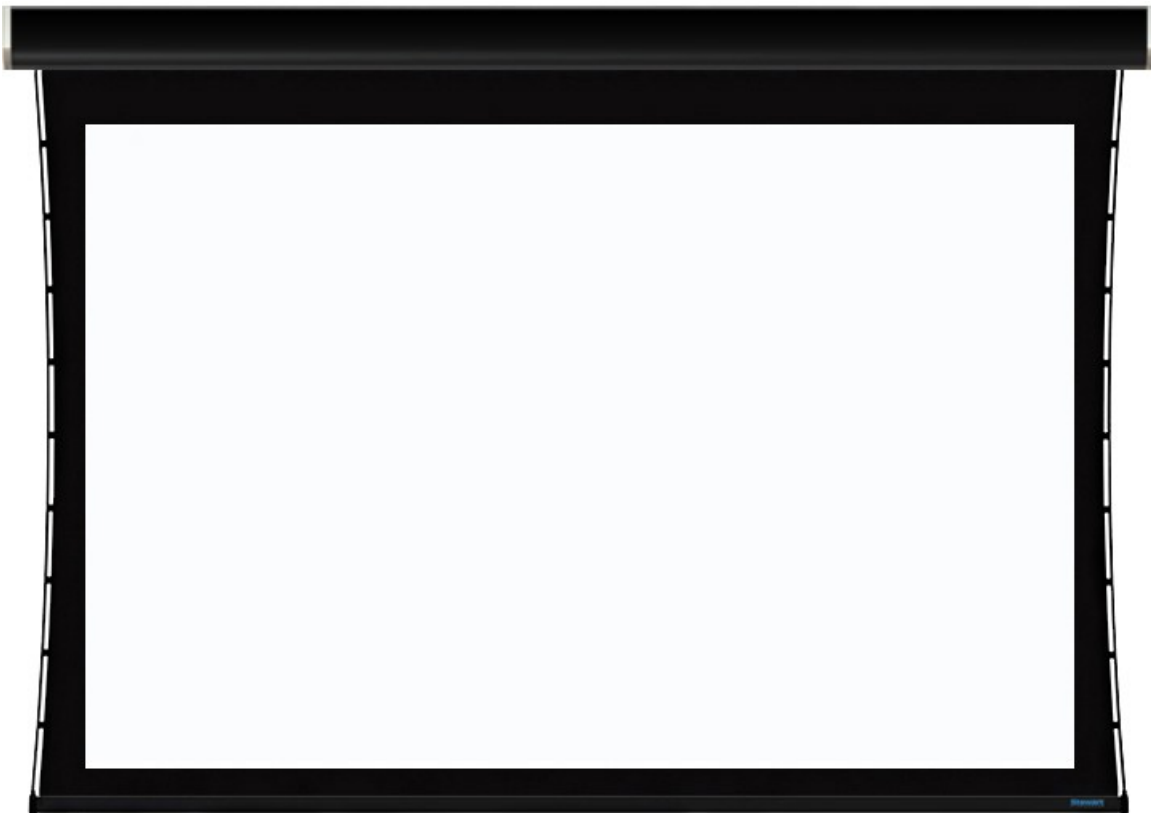


Luxus

Standard and Optional Controls



Stewart
F I L M S C R E E N

The Reference for Stunning™

Standard Control		
Control	Power Options	Description
IMC	120V / 240V	The IMC is a low voltage screen control that allows for switching conductors to be run in Class II (small wire, exposed, no conduit) and will interface with third party control systems.
Standard Accessories for IMC		
	Location	
IR Remote and IR Receiver	Smart Port	A three button IR (infrared) remote control and an IR receiver work in conjunction to operate the screen motor. The IR receiver simply plugs into the smart port.
12 Volt Projector Trigger	12V Trigger Port	Two 3.5mm mono plugs are included as standard to be made into a trigger cable by the installer. The cable simply plugs into the back of the Luxus case through the 12V trigger port.
Optional Accessories for IMC		
	Location	
IBT-100 for RS-232C	Smart Port	An IBT-100 can be equipped to plug in through the smart port on the back of the Luxus case. This unique piece of hardware combined with its integrated firmware and optional ancillary software can be used to interface CS-Bus controllers with external RS-232C networks to enable seamless bi-directional control and feedback.
IR Remote and IR Wall Plate Switch	Smart Port	A three button IR (infrared) remote control and an IR wall switch work in conjunction to operate the screen motor. The IR wall switch simply plugs into the smart port with RJ25 cable.



The Reference for Stunning™

Decora wall switch	Dry Contact Port	A three position wall switch can be equipped with the standard IMC control. This allows for simple up, down operation of your screen with a modern wall switch. Connects to the back of Luxus through Dry Contact Port.
Optional Control		
Control	PowerOptions	Description
RTS Motor	120V / 240V	The optional Luxus RTS Motor uses a standard 120 VAC power cord. An integral RF receiver, and a dedicated hand held remote to operate the screen. The power cord plugs into a continuously powered AC outlet/line.
Standard Accessories for RTS		
Telis RTS Remote (radio frequency)		A four button RF (radio frequency) remote comes standard with the RTS control option for Luxus. The Telis remote is omni-directional, so no need to aim the remote at the screen when trying to operate.
Optional Accessories for RTS		
Smooove RTS Wall Switch		The Smooove RTS surface mounted wall switch avoids cutting into drywall. This simple, battery operated wall switch is easy to install and doesn't require an electrician. It operates the screen the same way your Telis RTS remote does.
Somfy myLink		The Somfy myLink offers convenient control of your Luxus RTS control option with a smartphone, tablet, Alexa, or Google Home. It consists of a simple plug in device and free app that transforms the experience you will have with your Stewart Filmscreen.

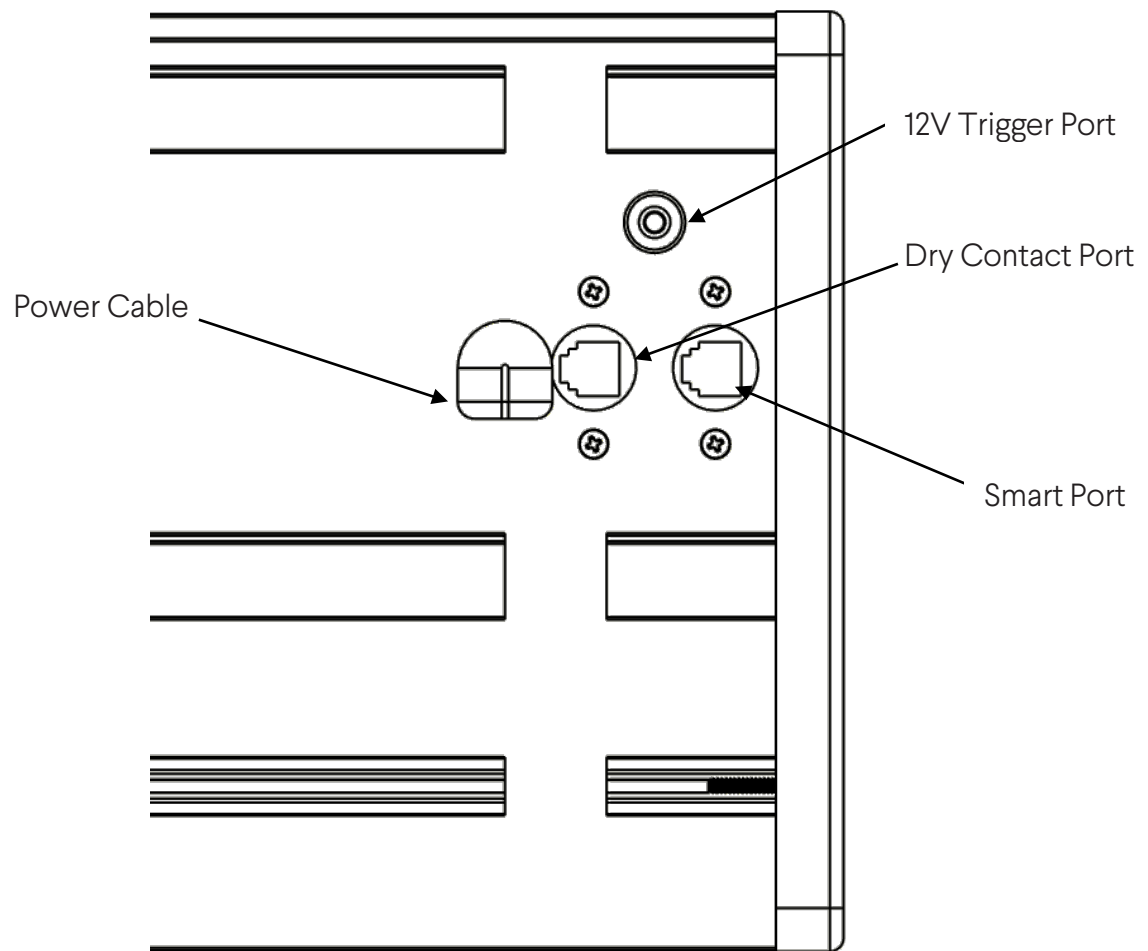


Figure 1. Rear audience left of case

INTELLIGENT MOTOR CONTROL (IMC) WIRING

The IMC is a low voltage screen control that allows for switching conductors to be run in Class II (small wire, exposed, no conduit) and will interface with outboard video switching systems.

The IMC has the capability of being operated through a wall switch, infrared remote, radio frequency remote, internet protocol (IP) control system, and a screen trigger through a projector. The IMC is the most robust controller offered for Lexus. For a detailed look at what the IMC has on board, please see below (see Figure 23).

The IMC comes prewired from the factory to the motor and to the power cable. For your reference, in the case of servicing, we broke down the pin layout for the high voltage side of the connections (see Figure 24). Always have a qualified electrician handle high voltage connections.

AC load side	IMC 100	Motor Power Connectors
BLACK	Pin 1	AC Line +
WHITE	Pin 2	AC Neutral
NC	Pin 3	Motor RED Line
NC	Pin 4	Motor BLACK Line
NC	Pin 5	Motor Neutral
GREEN	NC	Connect Ground to "Grounding" lug on IMC housing. Also connect ground wire from motor housing to same lug

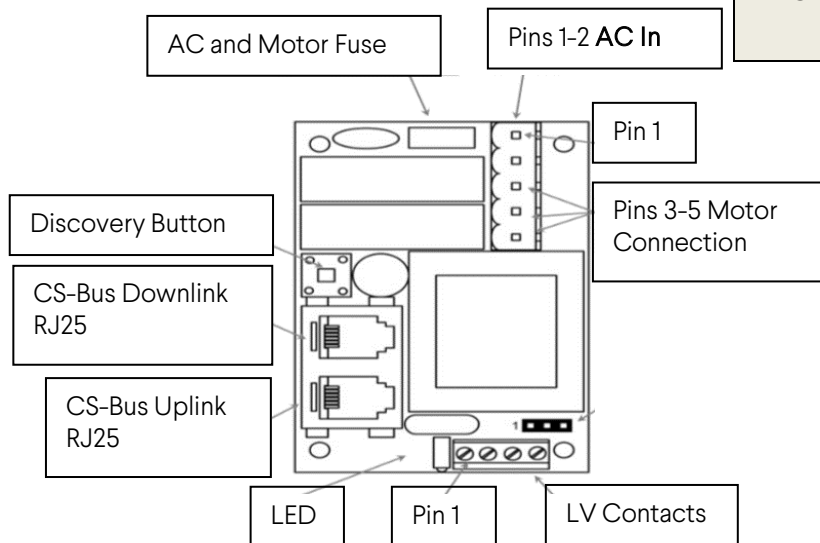


Figure 2. IMC control board schematic

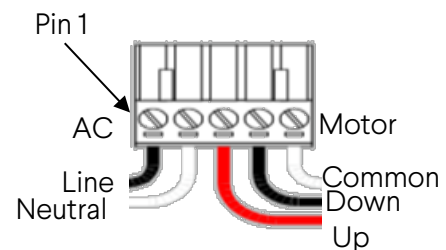
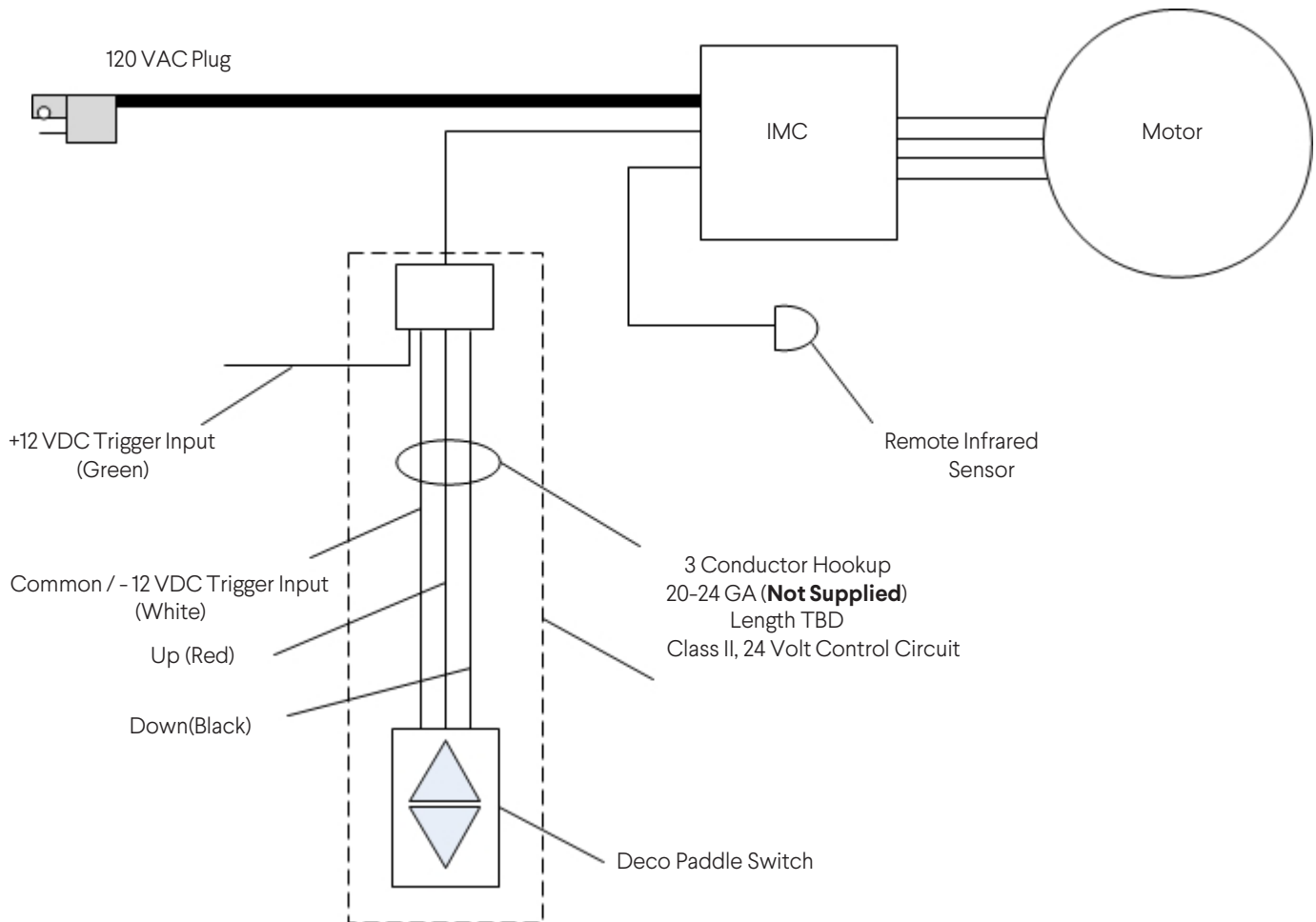


Figure 3. High voltage pin schematic

LVC Contacts	IMC 100	COMMANDS
COMMON	Pin 1	COMMON
CHANNEL 1 INPUT	Pin 2	UP
CHANNEL 2 INPUT	Pin 3	DOWN
SCREEN TRIGGER INPUT	Pin 4	TRIGGER 3-15 VDC w/ COMMON



The IMC is a low voltage screen control that allows for switching conductors to be run in Class II (smallwire, exposed, no conduit) and will interface with outboard video switching systems.

The Dual Intelligent Motor Control consists of two state-of-the-art, bi-directional communication, AC motor controls designed to control projection screens and masking panel

IMC RJ45 PINOUTS FOUND ON BACK OF CASE

All Stewart Filmscreen “smart port accessories” that are RJ25 will plug into the RJ45 smart port (see Figure 15) on the back of the Luxus case. In the box you will find two spare RJ45 connectors. These are provided for the ease of making or extending wires for use with dry contact port. If you need to interface your Luxus to a third party control or to a Decora wall switch, you must connect to the dry contact port (see Figure 15). Any dry contact connections must match the RJ45 pinout diagram (see Figure 26).

8 Pin RJ45 for Low Voltage Dry Contact Connector

Pin	Signal
1	Not used
2	Not used
3	DOWN
4	UP
5	COMMON
6	TRIGGER
7	Not used
8	Not used

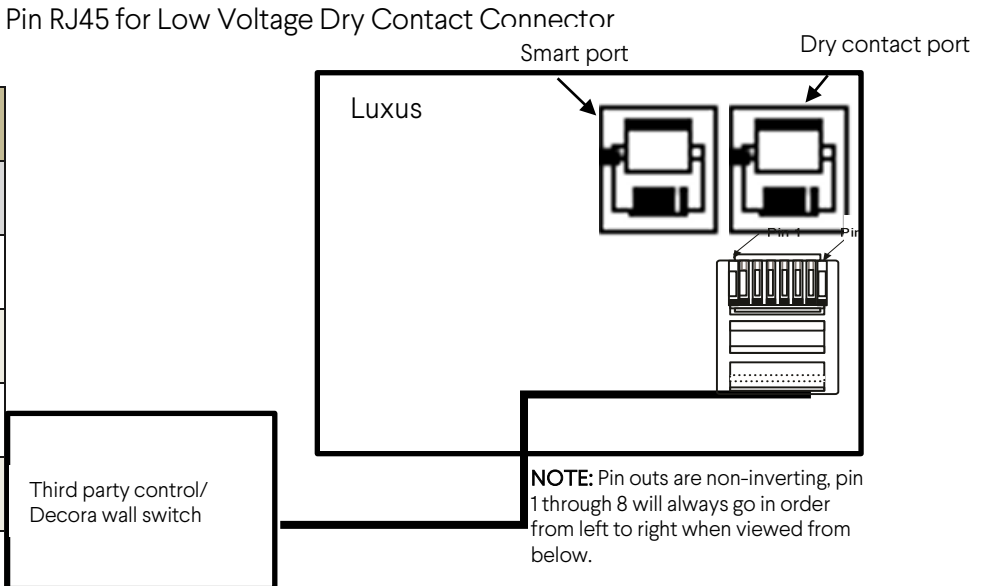


Figure 4. RJ45 pinout diagram

Remote: IMC keypad (ILC-IR 10W1)

Buttons:

Button:

- A not implemented
- B not implemented
- C not implemented
- D not implemented
- Channel 1 UP-- code "23"
- Channel 1 DOWN --code "24"
- Channel 2 UP -- code "29"
- Channel 2 DOWN -- code "2A"
- Dual Floppy (left bottom)--not implemented
- *(toggle) button--code "2B"

Code "23" Channel A UP

Learned Pronto IR code

0 f 6c 6 60 ab 15 40 14 16 56 ac 3f 6f fc 42 38 4c 0 20 60 66 2 26 20 44 0 40 30 0 10 11 4c 4 bf 4e fc 42 34 fc ae f2 ca 2f 44 c3 37

0000 006D 0000 0022 0156 00AB 0015 0015 0015 0040 0015 0015 0015 0015 0015 0015 0015 0015 0015 0015 0015 0040 0015 0040 0015 0015 0015 0015 0015 0015 0015 0015 0015 0040 0015 0040 0015 0015 0015 0015 0015 0040 0015 0040 0015 0040 0015 0015 0015 0040 0015 0594

0000 006D 0022 0156 00AB 0015 0015 0015 0040 0015 0015 0015 0015 0015 0015 0015 0015 0015 0015 0015 0040 0015 0040 0015 0015 0015 0015 0015 0015 0015 0015 0015 0040 0015 0040 0015 0015 0015 0015 0015 0015 0015 0015 0040 0015 0040 0015 0040 0015 0015 0015 0040 0015 0594

Learned Pronto IR code

0 f 6c 5 60 ab 15 40 56 ac 16 3f 6f fc 42 30 4d 0 0 40 44 0 4 0 40 40 40 0 4 4 4 44 f0 eb c4 2f 84 f0 bb ca 2b bf 10 c2 37

Original HEX code

0 f 6c 3 61 43 15 40 ab 3f 5f bc f2 b 21 10 0 0 10 11 0 1 0 10 10 10 0 111 11 7c 3



The Reference for Stunning™

Code "2B" Toggle

Learned Pronto IR code

0 f 6c 5 60 ad 15 40 56 ac 16 3f 6f fc 42 30 4d 0 0 40 44 0 4 0 44 40 40 0 0 4 4 44 f0 6b c5 2f 84 f0 db ca 2b
bf 10 c2 37

Original HEX code

0 f 6c 3 61 43 15 40 ab 3f 5f bc f2 b 21 10 0 0 10 11 0 1 0 11 10 10 0 0 11 11 7c 3

Code "24" Channel A DOWN

Learned Pronto IR code

0 f 6c 5 60 ab 15 40 56 ac 16 3f 6f fc 42 30 4d 0 0 40 44 0 4 0 0 4 40 0 44 40 4 44 f0 eb c4 2f 84 f0 bb ca 2b bf 10 c2 37

Original HEX code

0 f 6c 3 61 43 15 40 ab 3f 5f bc f2 b 21 10 0 0 10 11 0 1 0 0 11 0 0 11 10 11 11 7c 3

Code "29" Channel B UP

Learned Pronto IR code

0 f 6c 5 60 ad 15 40 56 ac 16 3f 6f fc 42 30 10 0 0 10 11 d 4 0 4 40 40 0 40 4 4 44 f0 6b c5 2f 84 f0 db ca 2b bf 10 c2 37

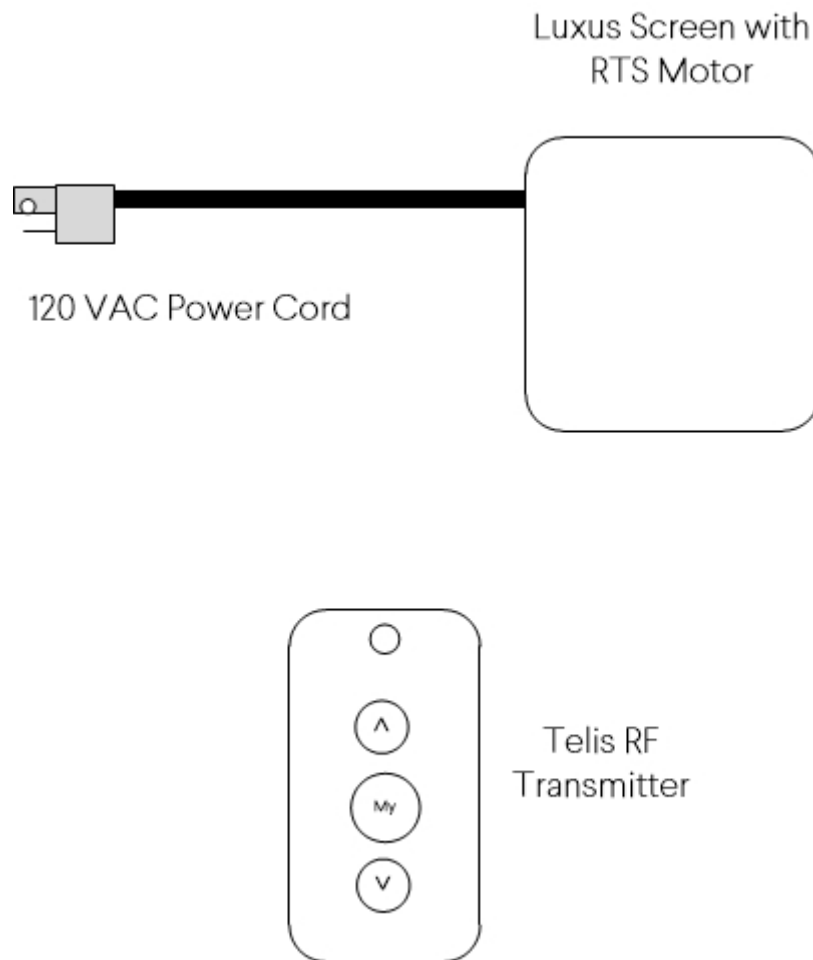
Original HEX code

0 f 6c 3 61 43 15 40 ab 3f 5f bc f2 b 21 10 0 0 10 11 0 1 0 11 0 10 0 10 11 11 7c 3

Code "2A" Channel B DOWN



The Reference for Stunning™



The optional Luxus RTS Motor uses a standard 120 VAC power cord. An integral RF receiver, and a dedicated hand held remote, operate the screen. The power cord plugs into a continuously powered AC outlet. With the addition of the Somfy MyLink device, the system becomes wi-fi discoverable and will facilitate control of the screen surface via tablets, phones and more.

RTS MOTOR

The Somfy RTS motor is an advanced option that integrates well with most home automation systems through myLink. With a network connection, Amazon Alexa, Google Home, IFTTT – or by using the myLink app with your smart device – will allow control over your Stewart electric screen's RTS motor. Optionally, you can also purchase the RF remote to control your RTS motor.

Programming Mode

Before you begin

Motors are shipped without limit settings and transmitter ID's. Steps 1 to 7 must be completed to ensure proper shade programming and functionality. Power should ONLY be connected to current shade being programmed. All other shades should be disconnected from their respective power while programming

STEP 1: Connect power

With the motor installed in shade, connect power to the motor (120V, or 12 V or 24V transformer or 12 V battery wand)



STEP 2: Initiate programming

Press both and at the same time until the shade jogs. A jog is a brief up and down motion. In Programming Mode, the shade will move only when the or is held



STEP 3: Check directions

Press or . When pressing product should go down or out. To change direction press and hold (Stop) until the shade jogs. A jog is a brief up and down motion.



STEP 4: Set the limits

Bring the shade to desired **upper** limit stop point. Press both (Stop) and until the motor moves, then release. (If the shade stops when the buttons are released take it back to the upper limit and repeat) Stop the motor when reaching the desired **lower** limit. You can adjust by pressing or



STEP 5: Set the limits

Press both (Stop) and at the same time until the shade moves, then release. The shade will stop at the original upper limit.



STEP 6: Confirm limit settings

Press and hold (stop) until the shade jogs to confirm the limit settings. A jog is a brief up and down motion.



STEP 7: Set user mode

Press and hold the programming button on the back of the transmitter until the shade jogs. The shade is now in User Mode. In User Mode, the shade will operate with a brief press on or Double check limit settings as a precaution.

Adjusting the limits in User Mode



To change the lower limit

Send the shade to it's current lower limit.



Press both and at the same time until the shade jogs. Adjust to a new lower limit position.

Press until the shade jogs



To change the upper limit

Send the shade to it's current upper limit.



Press both and at the same time until the shade jogs. Adjust to a new upper limit position.

Press until the shade jogs



Adding or deleting a Transmitter or a Channel



Programmed Transmitter

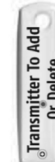
STEP 1: Using already programmed transmitters select the transmitter (single channel) or the channel, (1-5) of a multi-channel transmitter.

STEP 2: Press and hold the programming button of that transmitter until the shade jogs.

Transmitter to add or delete

STEP 3: Select the transmitter (single channel) or the channel, (1-5) of a multi-channel transmitter, to be added or deleted.

STEP 4: Press and hold the programming button of that transmitter until the shade jogs.





The Reference for Stunning™

www.stewartfilmscreen.com

1161 W. Sepulveda Blvd., Torrance CA 90502 USA | 800.762.4999 | Tel: 310.784.5300 | Fax: 310.326.6870 | Email: request@stewartfilmscreen.com

©2021 Stewart Filmscreen. Specifications are subject to change without notice.